

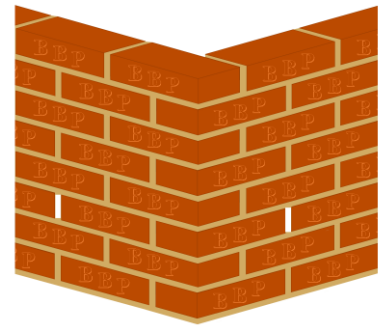
Fixing Instructions for External Brickwork Profiles

1. Rake out the vertical joints at the 9" and 14" or 18" positions from the corner in the second course below the level at which the Profile is to be set (see Fig 1).
2. Slide the Setting Device (A) down the Profile stalk to top of Datum Plate (E).
3. Place Profile on the corner resting on Thumb Screw (B) as in Fig 2 making sure that it is fitting snugly at points (C). The Profile will now support itself.
4. The Profile datum is the top face of the wing (marked E in Fig 2). By adjusting Thumb Screw (B) raise or lower the Profile as required.
5. The Setting Screws marked (C) in Fig 2 are pre-set and need no adjustment. These are only altered when working on irregular faced blockwork.
6. Place spirit level against Profile mast and slacken adjusting screws (D) Fig 3 to leave the Profile leaning away from the building on both faces. THIS IS VERY IMPORTANT as it greatly assists when plumbing.
7. Place the hooked end of the first clamping bolt into the Profile wing, insert CLAMP (G) Fig 3 into the vertical joint and tighten wing nut until the Profile just starts to turn on the angle (a small wedge pushed in the vertical joint will hold the arm in position while the second bolt is being fitted).
8. Tighten Wing Nuts (H Fig 3) equally, taking care that the profile remains square with the corner, adjustment for square being made by slackening one wing nut and tightening the other but DO NOT OVERTIGHTEN.
9. The Profile is now clamped firmly to the brickwork and if instruction (6) was carried out it should be leaning away from the building.
10. Remove Setting Device.
11. Place spirit level against both faces of Profile mast, tightening Setting Screws (D) Fig 3 to plumb Profile into the vertical position.
12. To mark GAUGE on Profile, stand Gauge Rod on Datum Plate (E) and transfer Gauge marks onto the Profile mast.
13. Using nylon Line Holders (1) Fig 3 set up lines.
14. As work proceeds use Stabiliser (J) Fig 4 to stabilise mast against the tension of the lines.

NOTE: All plumbing is done by the Setting Screws (D) Fig 3 only.

**DO NOT OVERTIGHTEN
SETTING SCREWS OR
WING NUTS**

Fig 1



Study these instructions carefully and carry out trial setting before putting Profiles into general use.

All our Profiles can be set to a true datum and vertical and be ready for use in approximately one minute. You may find that the first settings take longer but remember it's easy when you know how. Pay special attention to Instruction 6.

Fig 2

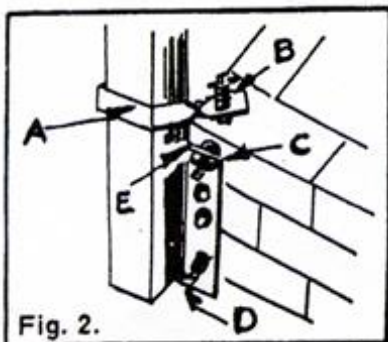


Fig 3

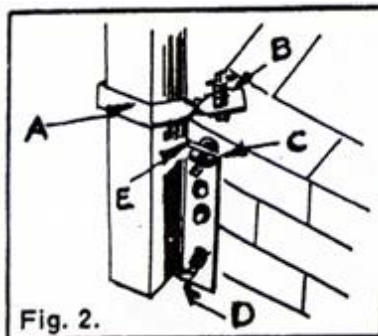
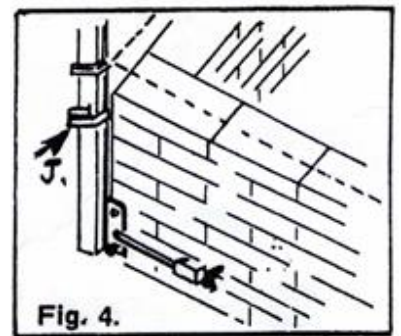


Fig 4



**BLAKES
BUILDING
PROFILES**

Unit A
Castle Industrial Park
Pear Tree Lane
Newbury RG14 2EZ
0118 981 2872
blakesbuildingprofiles.co.uk