

INSTRUCTION FOR "QQ CLIP"

1. Assemble QQ Clip as follows:-
Place arm 3 into socket on arm 2, making sure the front of arm 3 is at the front of arm 2. "Ensure arm 3 is completely pushed in."
(See Fig 1 + 2)
2. Set profile onto quoin corner as if setting onto a normal corner.
See "Manufacturers instruction."
3. Clip the QQ Clip onto the profile making sure the indent in arm 3 is against the quoin corner.
4. Set the line to whatever distance the main wall is stepped back from the quoin. This is done by putting the line into one of the grooves on arm 1 and 2. The grooves on arm 1 and 2 are set at 5mm intervals. There are three pegs on the side of the arm 1. Put the line underneath the peg before bringing it into the grooves.
(See fig. 3 + 4)
5. When these instructions have been carried out correctly the QQ Clip is ready to use.
 - (a) Run in the main wall leaving the quoin bricks off! (See fig. 5)
 - (b) Slide the QQ Clip upto the next gauge mark. (See fig. 6)
 - (c) Put corner quoin brick in, making sure the brick is pushed against the indent in arm 3. Go back to (a) again for work to proceed.
6. The indent in arm 3 will keep the corner quoin bricks plumb as work proceeds. Use Manufacturers Stabiliser every 6 - 8 courses.

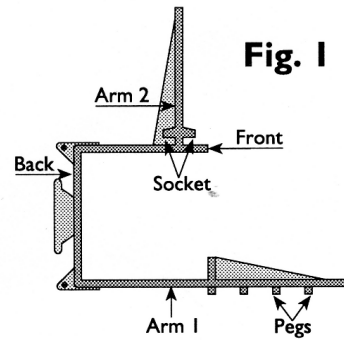


Fig. 1

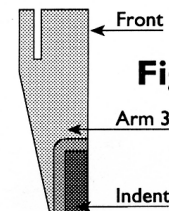


Fig. 2

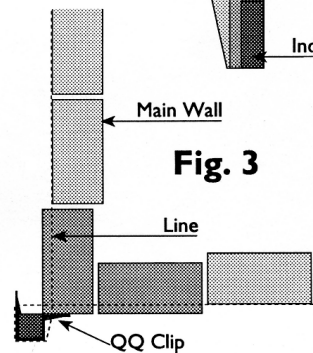


Fig. 3

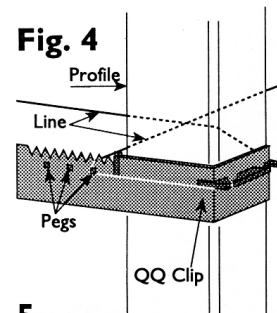


Fig. 4

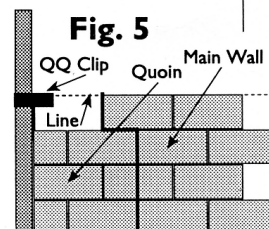


Fig. 5

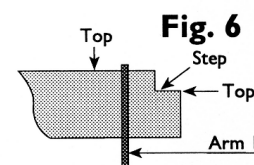


Fig. 6

Put top of step to gauge mark.